

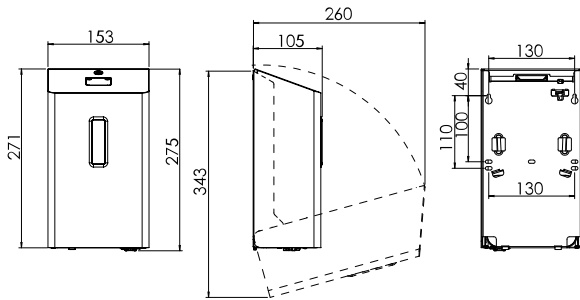
# UDU 5 T P/S MN

Liquid soap dispenser with open refill system  
Art.-No. 1423538



OPHARDT HYGIENE-TECHNIK GmbH + Co. KG  
Lindenau 27 | 47611 Issum | Germany  
Tel.: +49 (0) 28 35 18-10 | Fax +49 (0) 28 35 18-77  
planer@ophardt.com | www.ophardt.com

## UDU 5 X10 Touchless



Maße in mm - Dimensions in mm



## References

airports, train stations, schools, kindergartens, hotels, restaurants, commercial kitchen, food processing areas, prisons, exhibitions, conference centres, shopping centres, fitness and sports centres, industry, laboratories, administration facilities

## Usage examples

washrooms, toilets, baths, nursing and examination rooms, kitchens, production facilities, entrance area

## Technical data

Dispenser type:	refillable dispenser
Housing:	Stainless steel, matte black powder coated (RAL 9005)
Filling volume (ml):	600 ml
Dosing pump:	long-life plastic soap pump
Dosage quantity:	0.4 / 0.8 / 1.2 ml/stroke
Filling good:	Liquid soaps, Disinfectant
Operating type:	Touchless
Power type:	Battery
with/without viewing window:	Clear
with drip tray:	No
Lock:	SanTRAL vandalism-proof lock, plastic
Batteries:	4x Alkaline D batteries, 1.5 V, exchangeable, non-rechargeable
Recommended Batteries:	DURACELL ULTRA POWER D, VARTA 4020 (INDUSTRIAL), VARTA 4120, VARTA 4720
Mounting:	Wall mounting with 4 screws and wall plugs, recommended distance to the countertop min. 20 cm
Cleaning:	manual wipe disinfection, not dishwashersafe, not autoclavable
Warranty:	5 years
Net weight:	2.29 kg
Dimensions (W x H x D) in mm:	153x275x105
Hinweis:	Before using new products, please always check the compatibility of the product and the dispensing system to ensure proper functionality.

## Compatible accessories

Stand for UDU 5 T	Art.-No. 1424789
Hygiene stand for effective hand disinfection	
Kit SR UDU 5 T	Art.-No. 1423655
Smart retrofit kit for UDU 5 T universal dispensers	

Please see other accessories in our Online Product Catalogue.